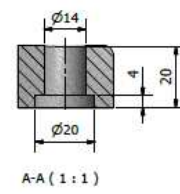
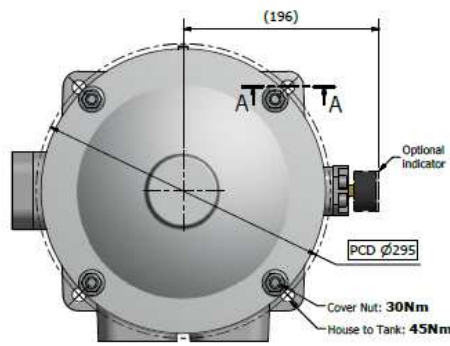
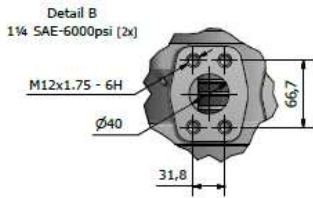
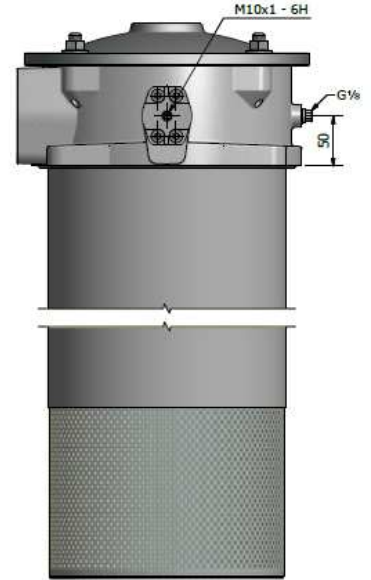
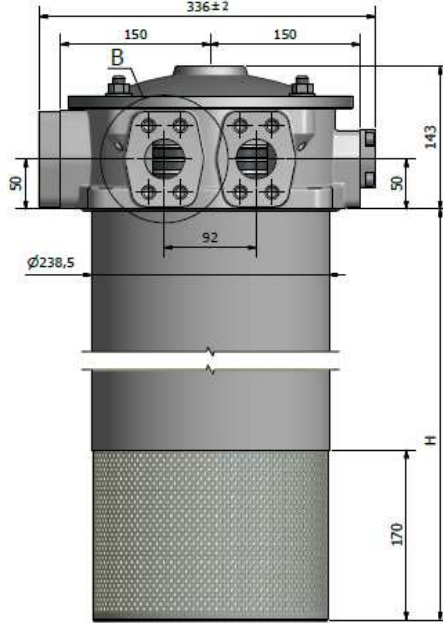
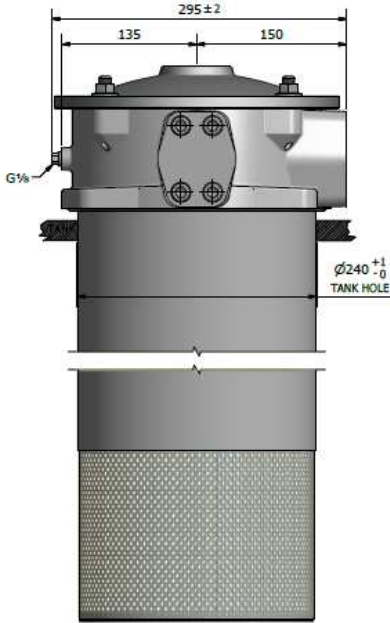


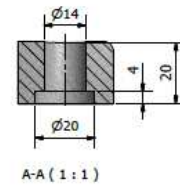
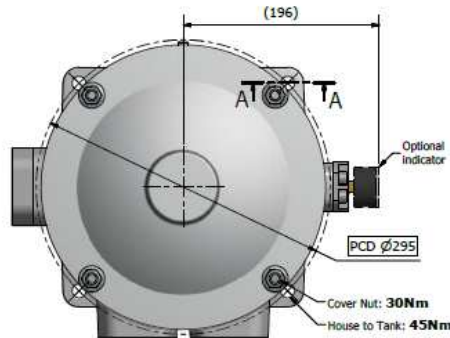
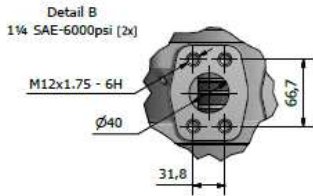
with diffuser



Filter type	H
13	420
14	530
15	636
16	915
17	1180
18	1180



without diffuser



Filter type	H
13	385
14	495
15	598
16	878
17	1143
18	1143

